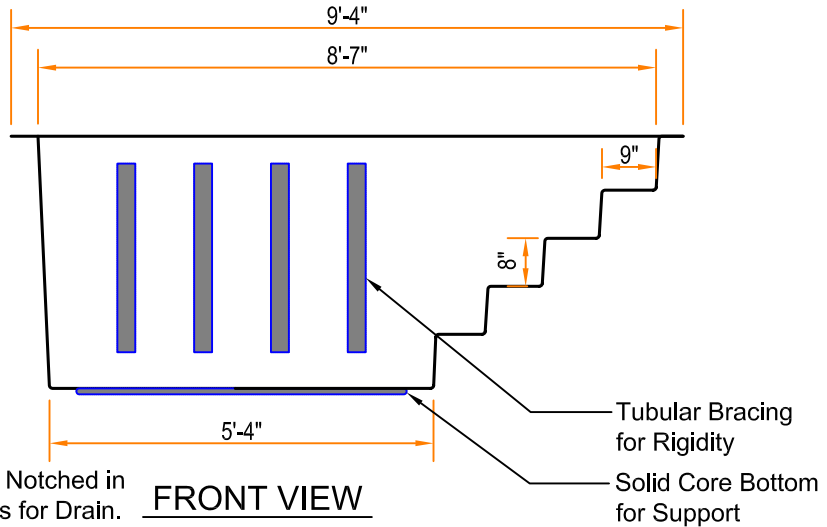
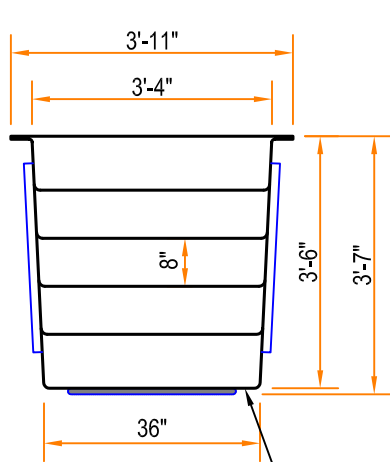
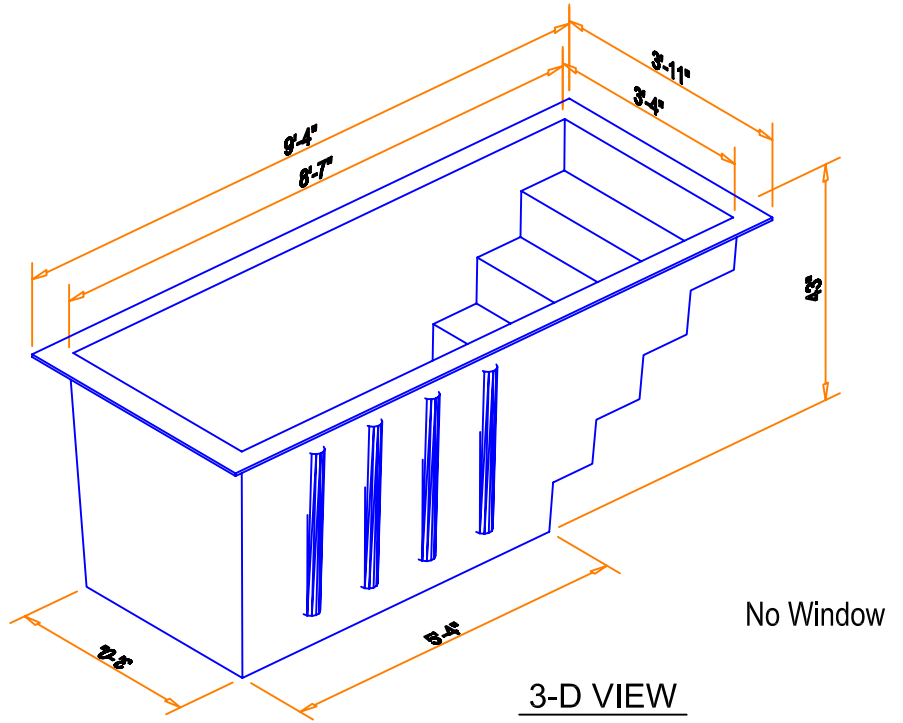


Baptistry Info.

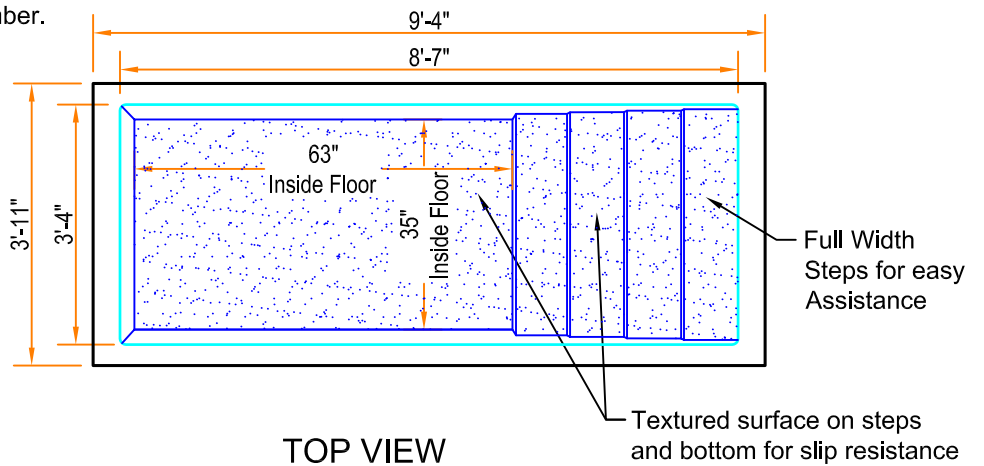
Width: 3'-11"
 Length: 9'-4"
 Depth: 43"
 Water Capacity: 475 gal.
 Unit Weight: 240 lb. Dry
 Recommended Heater:
 PEB-B 5.5 kw / Af 2900 / AD 2900
 Available In Blue, White or Bone

Note:
 All interior corners are rounded for safety.



Coring Area Notched in Four Corners for Drain. Drain Hole Drilled by Plumber.

Drains can be Located in Either of the Four Corners



BAPTISTRIES
 Model 11-B

ChurchPools.com
 PO BOX 513
 Rocky Mount, VA 21451
 1-800-639-7397