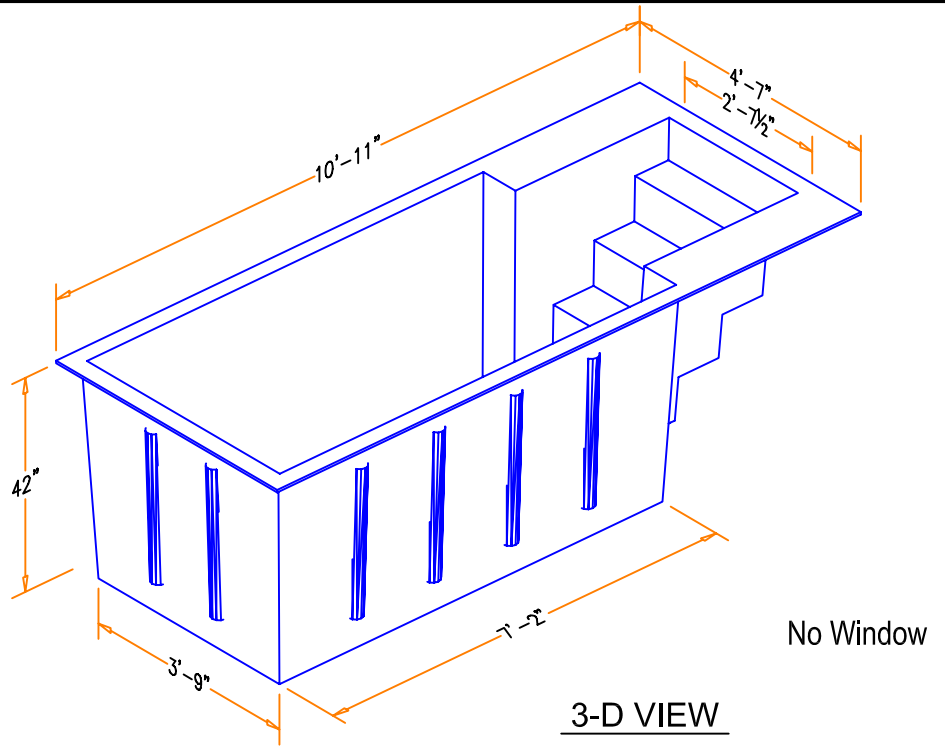
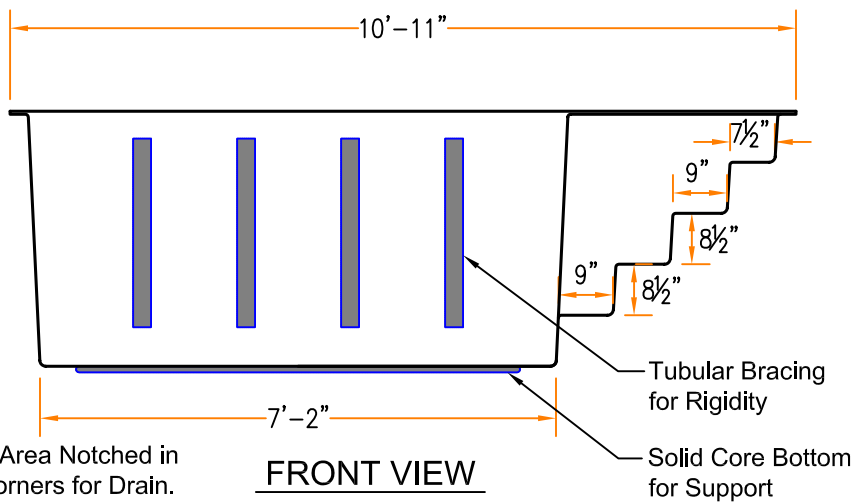
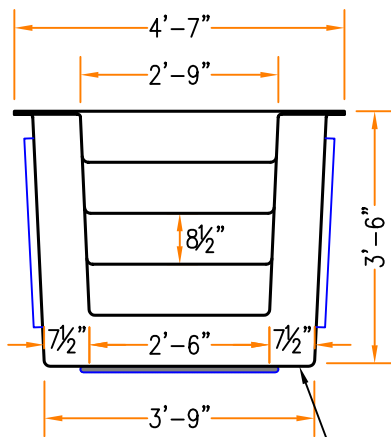


Baptistry Info.

Width: 4'-7"
 Length: 10'-11"
 Depth: 42"
 Water Capacity: 670 gal.
 Unit Weight: 310 lb. Dry
 Recommended Heater:
 PBH 10 kw / 750 EZ fill
 Available In Blue, White or Bone



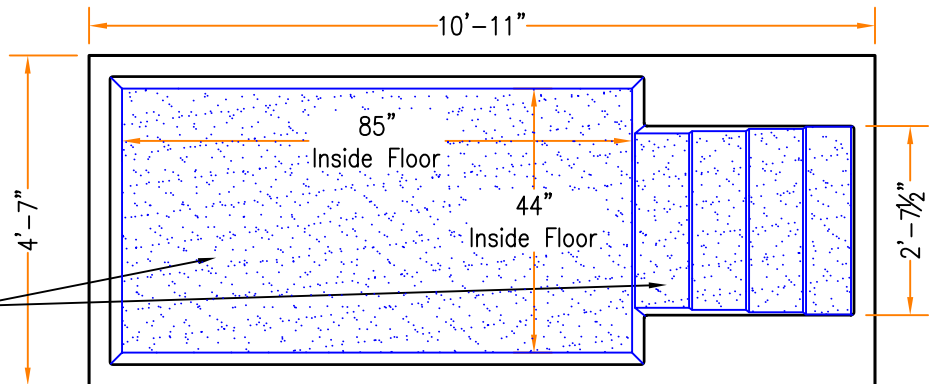
Note:
 All interior corners are rounded for safety.



Coring Area Notched in Four Corners for Drain. Drain Hole Drilled by Plumber.

Drains can be Located in Either of the Four Corners

Textured surface on steps and bottom for slip resistance



BAPTISTRIES

Model 12-B

ChurchPools.com
 PO BOX 513
 Rocky Mount, VA 21451
 1-800-639-7397