

Oversized Baptistry Drain & Overflow Kit # 172

600 Series, Trip Lever Solvent-Weld Assembly

1. Designed for heavy-duty use for church baptistries.
2. Strainer body cover catches hair.
3. Metal handle and strainer body.
4. Retainer plate for overflow elbow.

Approvals:

*Manufactured in compliance with ASME
A112.18.2-2005/CSA B125.2-2005.

Operation:

*Move lever, located on overflow plate, up
to close drain and down to open drain.

Thread Size:

(strainer body & drain elbow)

*1 1/2" - 11 1/2" NPSM (Coarse Thread)

*1.865" Major Diameter (outside thread diameter)

*11.5 threads per inch

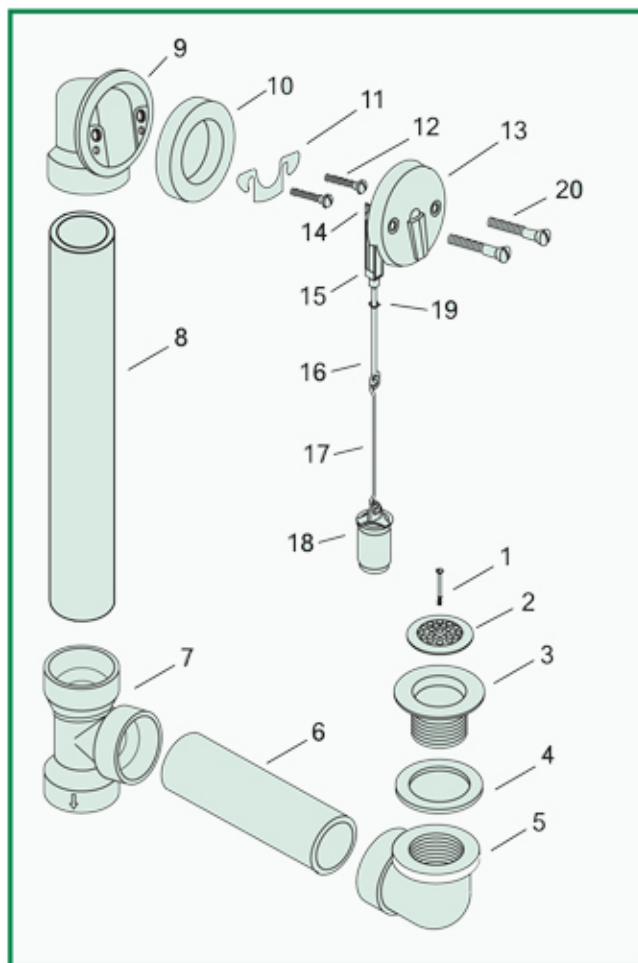


Trip Lever # 172

Fits baptistries up to 50" in height

#172 Parts List

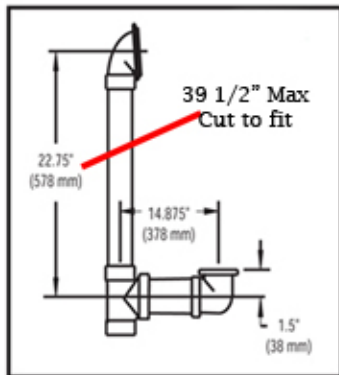
Item	Part #	Description
1.	01040CP	Strainer Cover Plate Screw
2.	01006CP	Strainer Cover Plate
3.	11495CP	Zinc Strainer Body, 1.865" - 11.5
4.	10696	Drain Ell Washer, gray
5.	11008	Drain Ell, Schedule 40, ABS
	14008	Drain Ell, Schedule 40, PVC
6.	SCHABS-4.625	Pipe, Schedule 40, ABS, 1.5" x 4.625"
	SCHPVC-4.625	Pipe, Schedule 40, PVC, 1.5" x 4.625"
7.	11017	Tee with Seat, Schedule 40, ABS
	14017	Tee with Seat, Schedule 40, PVC
8.	SCHABS-11.75	Pipe, Schedule 40, ABS, 1.5" x 11.75"
	SCHPVC-11.75	Pipe, Schedule 40, PVC, 1.5" x 11.75"
9.	10096	Overflow Elbow, 2-Hole, Schedule 40, ABS
	10098	Overflow Elbow, 2-Hole, Schedule 40, PVC
10.	10675	Overflow Ell Washer, Foam
11.	11531	Retainer Plate for 2-hole Schedule 40
12.	11540	Retainer Plate Screw
13.	10700CP	Trip Lever Faceplate Assembly
14.	10930	Cotter Pin Special Annealed
15.	10950	Trip Lever Qu ICK A Dju ST* Clevis
16.	10953	Top Linkage Eye Bolt
17.	10954	5.25" Double-Loop Wire
18.	11005	Drop Cylinder for ABS
	14005	Drop Cylinder for PVC
19.	10952	Trip Lever Linkage Nut
20.	01024CP	Overflow Plate Screw, 2.25"



Installation Instructions - Trip Lever #172

1. Dry fit all parts for size so the overflow will be 8-10" below the top of the baptistry. Cut the longest 1 1/2" ABS pipe to adjust overall height.
2. See bottom for Trip Lever variation. Apply plumbers putty** around bottom side of strainer body flange. Insert strainer body through drain hole in bottom of tub. Place drain ell gasket on drain ell on outside of tub. Thread strainer body into drain ell. Use strainer body tool or plier handles to tighten. Remove excess putty.
3. Slide slip nut, then plastic or brass washer (ferrule) onto drain ell. Make sure thick side of washer is toward nut. Slide tee onto drain tube and partially tighten nut.
4. Place overflow washer on overflow ell. Slide slip nut, then plastic or brass washer (ferrule) onto overflow drain tube. Insert into tee. Adjust so that overflow ell is snug against overflow hole in tub and long portion of tee is vertical with floor. Hand tighten both nuts as much as possible, then another 1/8 turn with wrench. NOTE: If brass ferrules are used joints can be soldered. DO NOT solder if plastic washers are used.
5. Start the two retainer plate screws in the bottom two holes in the overflow ell. Hang the retainer plate over the screw heads and tighten the screws until the retainer plate makes contact with the interior tub wall.
6. Install overflow plate and drop cylinder assembly, (see variations on reverse side) with screws provided.
7. Adjust drop cylinder assembly to insure no leaks to drain when in close position.

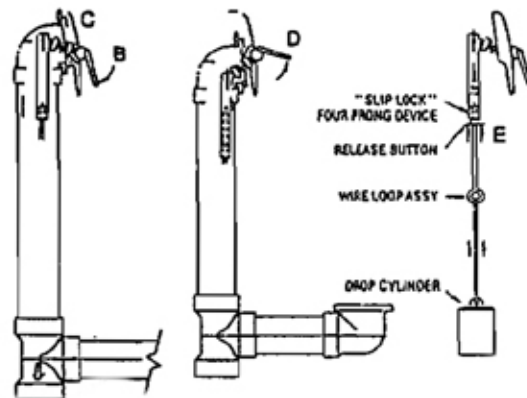
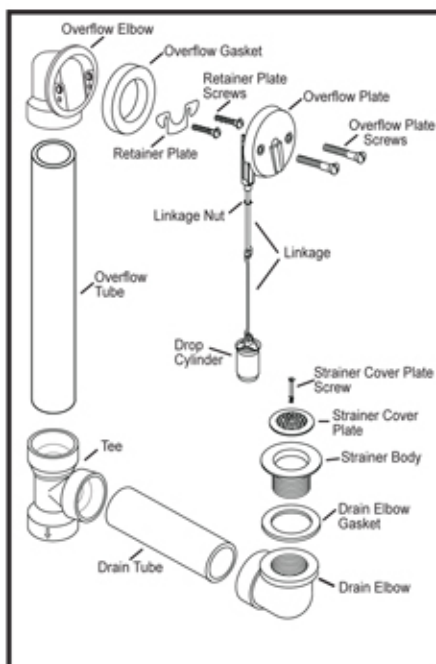
****CAUTION: Avoid contact of plumbers putty with ABS plastic parts****



Roughing-In Dimensions

Slip Lock Instructions

- A. Install bath waste assembly in normal sequence
- B. Insert drop cylinder assembly down overflow with trip lever in down (open) position.
- C. Screw overflow plate into overflow drain.
- D. Push trip lever firmly to up (closed) position to set drop cylinder.
- E. To readjust or lengthen drop cylinder assembly, slide release button up to SLIP LOCK four prong device and push hard while pulling wire loop assembly in opposite direction.



****Important WARNINGS****

Arrow on tee must be in down direction

Do not allow solvent cement to enter tee cavity