

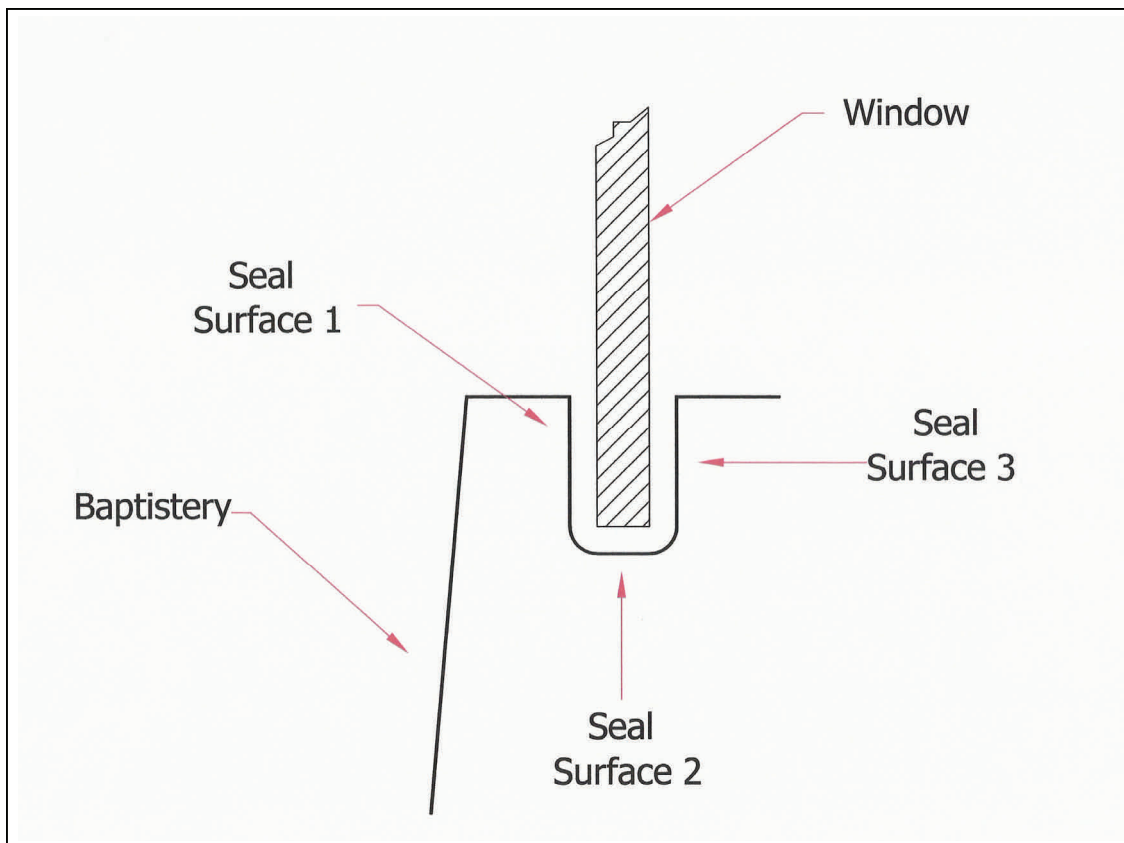
Triple Seal Baptistry Window

Piedmont Fiberglass has created the **Triple Seal** baptistry window installation system.

We use **3 surfaces** to seal the window in our baptisteries.

Instead of using simple caulking, PFI utilizes Sikaflex adhesive to permanently bond the window into the baptistry.

The **triple seal** process is more difficult to manufacture and using an adhesive is more expensive. But..... it's better to spend a few dollars now than risking thousands of dollars in damage from a leaking baptistry window.



Standard on all
Window Model
Baptisteries



Old Fashioned Craftsmanship With Modern Composites Technology